



FRONTIER PRECISION
UNMANNED
 uas@frontierprecision.com
 www.frontierprecision.com/unmanned



ALTA X GEN2

Alta X is an industrial workhorse. We designed Alta X from the ground up to capitalize on the benefits of large, efficient props while maintaining the crisp control and unmatched precision Freefly is known for. Alta X was built for the toughest jobs around the world and to power our professional and industrial partners.

Alta X Gen2 includes new technologies like Smart Dovetail, vibration isolator, mounting rails, and modular payload bays as well as full system compatibility with Freefly payloads.

Alta X Gen2 features ActiveBlade which reduces vibration to 1/5th of the normal level. Alta X Gen2 features integrated FPV, LTE and tight integration with AMC and Pilot Pro

PILOT PRO

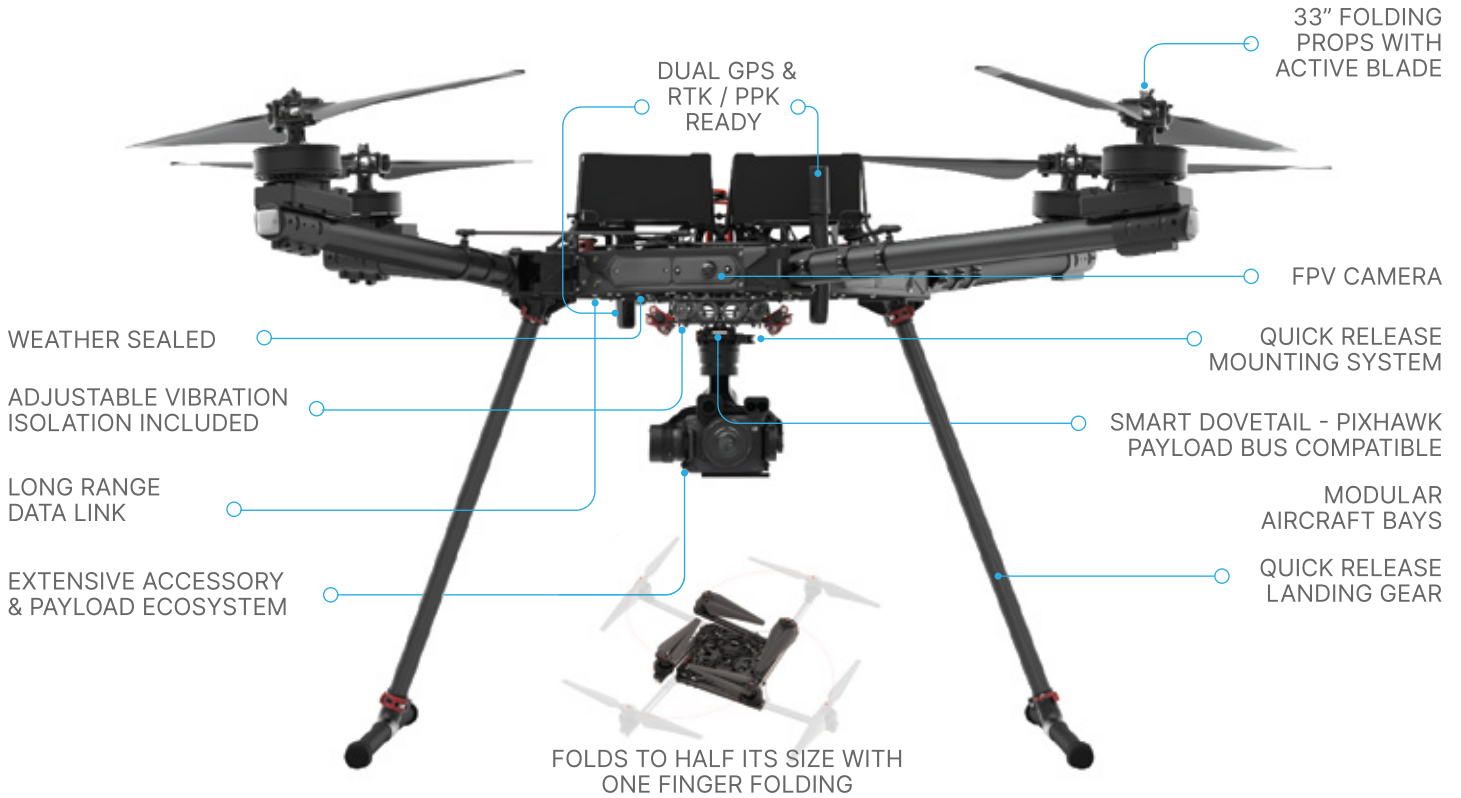
Enjoy precise camera and gimbal control with Pilot Pro. Discreet controls for all key drone and gimbal commands allow pilots to capture more and work faster. Machined from aerospace grade aluminum and built to keep up with you day after day. Pilot Pro has internal batteries and external hot swap batteries for 100% uptime.

- Open PX4 flight stack - Adapt Alta X Gen2 for your use case.
- Dedicated US based engineering, operations, and support team
- Designed and assembled in United States
- Training program for your team (at Freefly or onsite)
- Robust testing and validation methodology (we break things so you won't have to)
- In depth documentation (Wiki, Knowledgebase, Tutorials)
- Open and communicative team (we share CAD, test specs, engineering documents, wiki to help you integrate and succeed more quickly)
- Customization - Our Engineering team is here to help you realize your integration or customization. We know how to get you in the air quickly and efficiently
- Partners - Freefly is a pioneer in the drone industry. We have established partnerships with the best companies in the industry to help create a robust ecosystem that can tackle any problem

PAYLOAD	Sony LR1 - 61MP Camera
CONTROLLER	Freefly Pilot Pro
FLIGHT TIME	No Payload - 50 mins
FLIGHT TIME	with LR1 Payload - 44 mins
FLIGHT TIME	with MAX Payload - 10 mins
MAX PAYLOAD	15 KG / 33 LBS
POWER	2 × 12s 16Ah batteries
FLIGHT CONTROLLER	Auterion Enterprise PX4 (custom for Alta X GEN2)

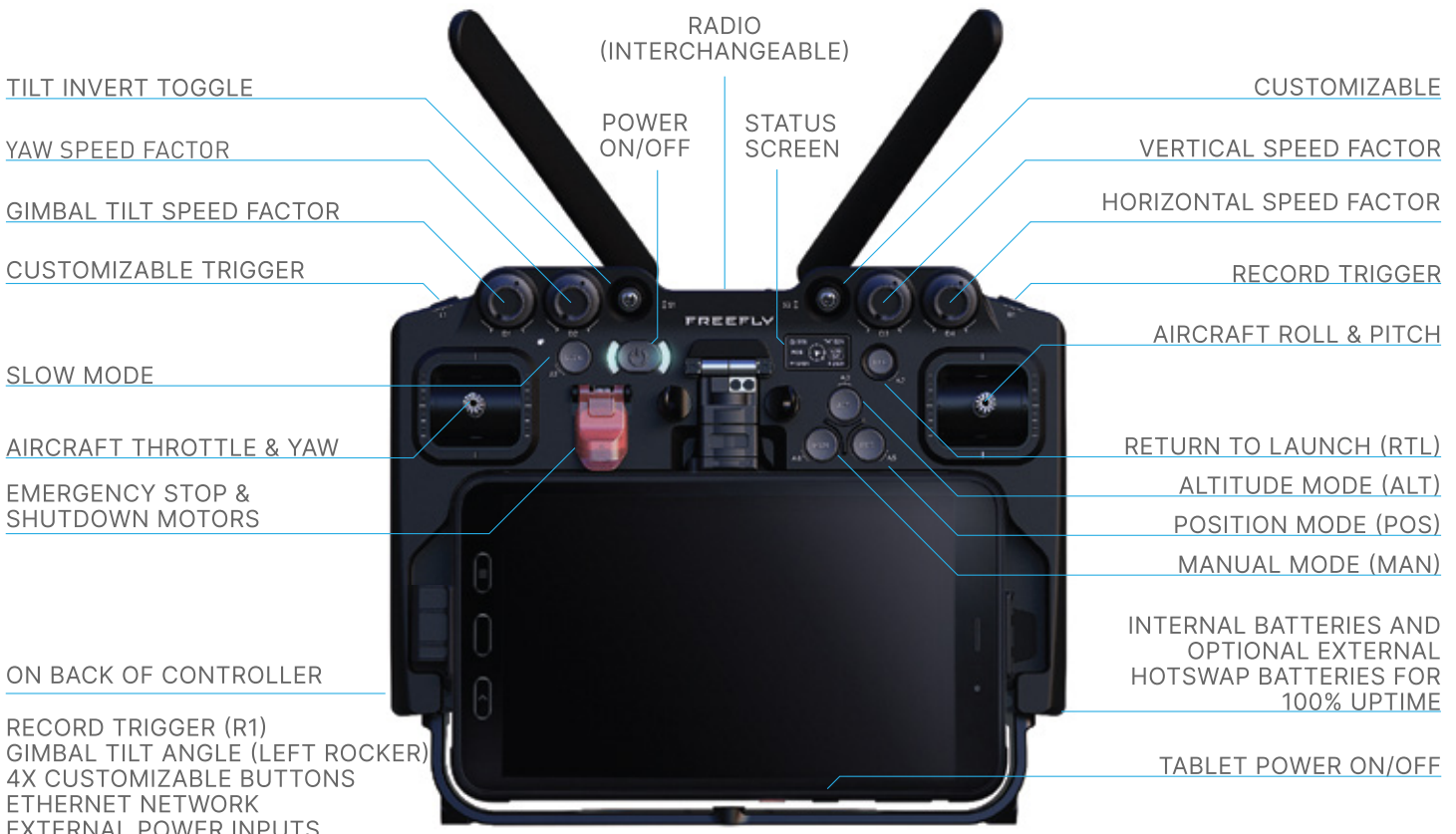


KEY FEATURES



Expandable - Alta X Gen2 features power and data expansion ports to help you integrate just about anything

Most Efficient Workflow - We spend years figuring out how to make our drones more fun to use than any other drone.



INTERNAL RUNTIME 5HR | CHARGE TIME 1HR