

# Skydio 2+ Enterprise

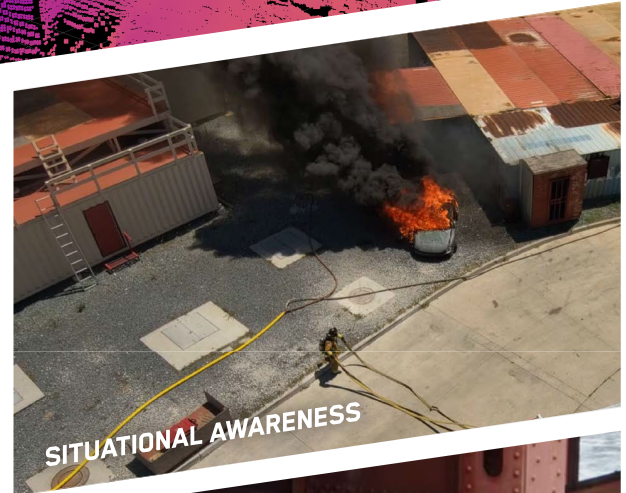


## Breakthrough intelligence. Impossible video.

Skydio 2+ (S2+) is the industry-leading autonomous drone solution, powered by Skydio Autonomy Enterprise, an AI-driven autonomous flight engine that enables unparalleled 360° obstacle avoidance, autonomous tracking, GPS-denied navigation, and complete workflow automation. Equipped with NVIDIA Tegra TX2 with 256 GPU cores, S2+ brings industry-leading compute power to the edge of your infrastructure, automating data collection for situational awareness, inspection or security. Designed, assembled, and supported in the USA, S2+ provides a higher degree of supply chain security.

## Optional add-ons

- ⊕ **Skydio Beacon™.** A first-of-its-kind drone controller for GPS drone tracking. Beacon makes it easy to follow fast moving subjects such as people or dogs.
- ⊕ **Skydio 3D Scan™.** Adaptive scanning to automate the image capture process to document complex structures and generate 3D models with comprehensive coverage and ultra-high resolution. Perform higher quality inspections and documentation faster and with minimal pilot training.
- ⊕ **Skydio Cloud.** Enables federated fleet management and seamless upload of flight media. No more manual handling of SD cards and hard drives.



MAX RANGE

**6.0  
km\***

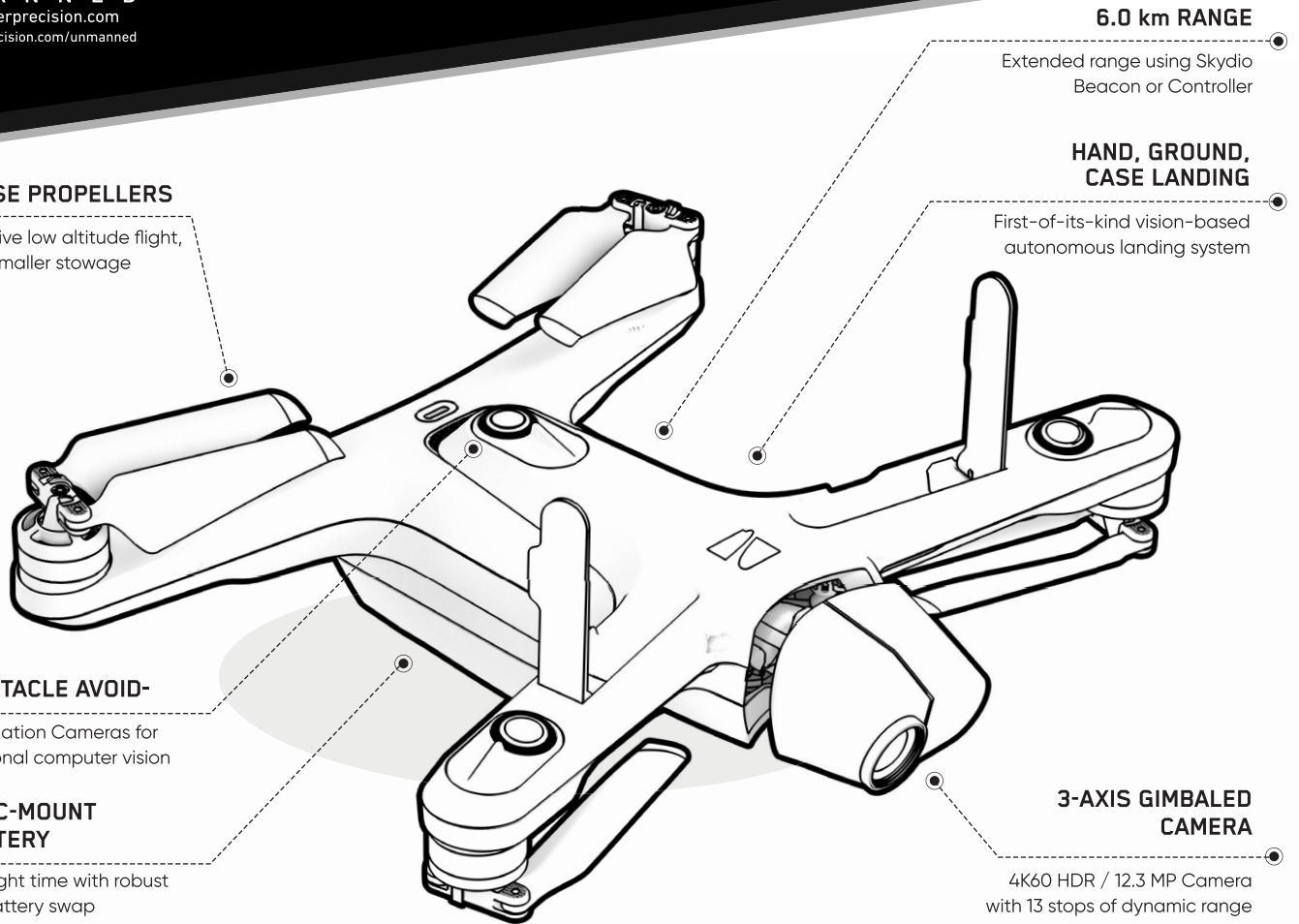
CAMERA

**4K60 / 12.3  
HDR / MP**

FLIGHT TIME

**27  
min**

\*Always follow local rules, regulations, and FAA guidelines, and fly your drone in line of sight at all times.



**LOW NOISE PROPELLERS**

Less disruptive low altitude flight, folding for smaller stowage

**360° OBSTACLE AVOID-**

Six 4K Navigation Cameras for omnidirectional computer vision

**MAGNETIC-MOUNT LIPO BATTERY**

27 minute flight time with robust and easy battery swap

**6.0 km RANGE**

Extended range using Skydio Beacon or Controller

**HAND, GROUND, CASE LANDING**

First-of-its-kind vision-based autonomous landing system

**3-AXIS GIMBALED CAMERA**

4K60 HDR / 12.3 MP Camera with 13 stops of dynamic range

**AIRCRAFT**

<b>DIMENSIONS WITH BATTERY (ANTENNAS UP)</b>	229 x 274 x 126 mm
<b>WEIGHT (WITH BATTERY)</b>	800 g
<b>FLIGHT TIME</b>	Up to 27 minutes
<b>MAX FLIGHT SPEED (SEA LEVEL, NO WIND)</b>	36 mph
<b>MAX WIND SPEED RESISTANCE</b>	25 mph
<b>MAX SERVICE CEILING (ABOVE SEA LEVEL)</b>	Up to 15,000 ft
<b>OPERATIONAL TEMPERATURE RANGE</b>	-5°C to 40°C

**SKYDIO AUTONOMY ENTERPRISE**

<b>MAIN PROCESSOR</b>	NVIDIA Tegra X2 SOC
<b>ENVIRONMENT COVERAGE</b>	True 360°
<b>3D WORLD MODEL UPDATE RATE</b>	> 1 million points per second
<b>USER-SELECTABLE SUBJECTS FOR TRACKING</b>	People and motor vehicles
<b>ONBOARD AI</b>	9 deep networks used in flight
<b>ADVANCED AI-PILOT ASSISTANCE</b>	360 Superzoom, Close Proximity, Obstacle Avoidance, Point-of-Interest Orbit, Track-in-Place, Vertical View, Visual Return-to-Home

**PRIMARY CAMERA SYSTEM**

<b>COLOR SENSOR TYPE</b>	Sony IMX577 1/2.3" 12.3MP CMOS
<b>COLOR LENS FOCAL LENGTH</b>	20mm (35mm format equivalent)
<b>COLOR VIDEO RESOLUTION</b>	4K / 60 fps with 16x digital zoom
<b>COLOR DYNAMIC RANGE</b>	13 stops
<b>PITCH CONTROLLABLE RANGE</b>	-110° to +90°



Contact [enterprise@skydio.com](mailto:enterprise@skydio.com) today to learn more about integrating Skydio 2.

Designed and assembled in the USA