

Skydio X2E Color

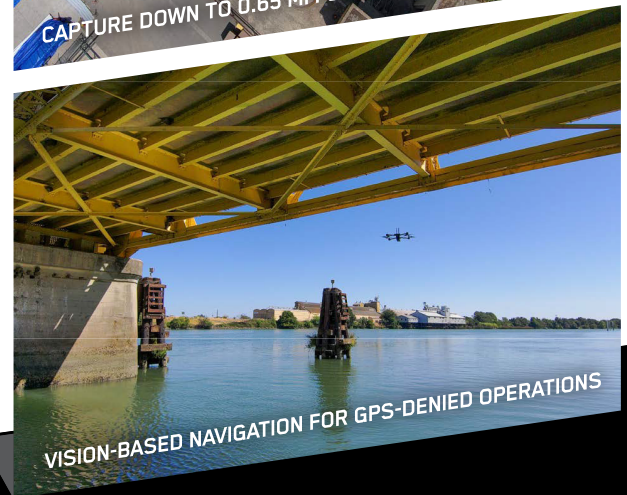


Unmatched autonomy meets enterprise performance

Skydio X2E Color is the ultimate UAS solution for aerial asset inspection and incident scene reconstruction. X2E is powered by Skydio Autonomy Enterprise, an AI-driven autonomous flight engine that enables unparalleled 360° obstacle avoidance, autonomous tracking, GPS-denied navigation, and complete workflow automation. X2E is designed with a ruggedized, foldable airframe, GPS-based night flight, strobing lights in visible and IR wavelength, and a single sensor payload with a 12MP/4K60P HDR color camera with a wide angle lense optimized for close capture. Built for enterprises and first responders, Skydio X2E is designed and assembled in the USA, and is compliant with the National Defense Authorization Act (NDAA).

Advanced software add-ons

- ⊕ **Skydio 3D Scan™:** Adaptive scanning to automate the image capture process to document complex structures and generate 3D models with comprehensive coverage and ultra-high resolution. Perform higher quality inspections and documentation faster and with minimal pilot training.
- ⊕ **Skydio Cloud:** Enables federated fleet management and seamless upload of flight media. No more manual handling of SD cards and hard drives.



WIRELESS RANGE

Up to 3.7 mi / 6 km

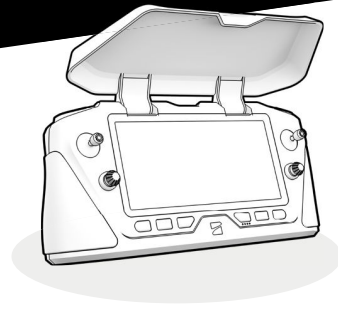
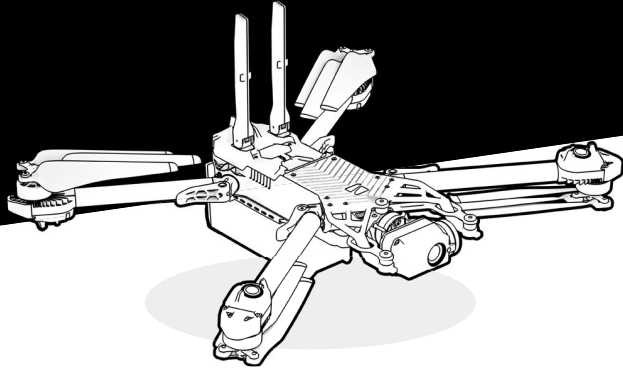
FLIGHT TIME

Up to 35 min

CYBERSECURITY

AES-128 wireless encryption

X2E Color & Controller Specs



AIRCRAFT

| | |
|--|--|
| DIMENSIONS (UNFOLDED, FLYING) | 26.1" X 22.4" X 8.3" (66 x 56 x 20 cm) |
| DIMENSIONS (FOLDED, NO BATTERY) | 11.9" X 5.5" X 3.6" (30 x 15 x 10 cm) |
| WEIGHT (WITH BATTERY) | 1325 g |
| FLIGHT TIME | Up to 35 minutes |
| MAX FLIGHT SPEED (SEA LEVEL, NO WIND) | 25 mph (40 km/h) |
| MAX WIND SPEED RESISTANCE | 23 mph |
| MAX SERVICE CEILING (ABOVE SEA LEVEL) | Up to 12,000 ft |
| OPERATIONAL TEMPERATURE RANGE | -10°C to 43°C |

SKYDIO AUTONOMY ENTERPRISE

| | |
|--|---|
| MAIN PROCESSOR | NVIDIA Tegra X2 SOC |
| CAMERA CONFIGURATION | 6x cameras in trinocular configuration top and bottom |
| ENVIRONMENT COVERAGE | True 360° |
| OBSTACLE AVOIDANCE COVERAGE | Omnidirectional |
| 3D WORLD MODEL UPDATE RATE | > 1 million points per second |
| WORLD MODEL-TO-ACTION UPDATE RATE | 500 iterations per second |
| ONBOARD AI | 9 custom deep networks used in flight |
| USER-SELECTABLE SUBJECTS FOR TRACKING | People and motor vehicles |
| OBJECT TRACKING AND IDENTIFICATION | Up to 20 simultaneous objects of interest |
| CALIBRATION | Automated calibration of lens parameters, cameras, wind speed, and air density |
| ADVANCED AI-PILOT ASSISTANCE | 360 Superzoom, Close Proximity, Obstacle Avoidance, Point-of-Interest Orbit, Track-in-Place, Vertical View, Visual Return-to-Home |

CONTROLLER

| | |
|------------------------------|------------------------|
| DIMENSIONS | 10.75" x 5.25 x 3.0" |
| WEIGHT | 1130 g |
| APPLICATIONS | Skydio Enterprise App |
| WIRED LINKS | USB, (via dongle) HDMI |
| OPERATING FREQUENCIES | 5 GHz |
| MAX RANGE | Up to 6 km (5 GHz) |
| VIDEO FEED | 720p at 30 fps |

PRIMARY CAMERA SYSTEM

| | |
|---------------------------------|--|
| COLOR SENSOR TYPE | Sony IMX577 1/2.3" 12.3MP CMOS |
| COLOR LENS FOCAL LENGTH | 20 mm (35 mm format equivalent) |
| COLOR VIDEO RESOLUTION | 4K / 60 fps with 16x digital zoom |
| COLOR VIDEO FORMAT | MPEG-4 (AVC/H.264, HEVC/H.265) |
| COLOR STILL RESOLUTION | 4056x3040 (12 MP) |
| COLOR DYNAMIC RANGE | 13 stops |
| PITCH CONTROLLABLE RANGE | -110° to +45° (-110° to +90° with AEF) |

SYSTEM SECURITY

| | |
|----------------------------|---|
| WIRELESS ENCRYPTION | AES-128 |
| FIRMWARE | Signed and encrypted |
| CONTROLS | Ability to provision and deprovision devices |
| INFRASTRUCTURE | Key provisioning burned-in at time of manufacture |



Contact enterprise@skydio.com today to learn more about integrating Skydio X2.

Designed and assembled in the USA